



SPECIFICATIONS

Power Amplification:	Class D, 400W RMS / 800 Program / 1600W Peak 1600W Peak (1400W LF + 200W HF)
Maximum SPL @ 1m:	123dB Continuous/ 126dB Peak
Frequency Response:	60Hz-19kHz (±3dB)
Frequency Range:	50Hz-20kHz (-10dB)
Transducer Low:	15" (380mm) Woofer, 2" (50mm) Voice Coil
Transducer High:	Neodymium Driver , 1" (25mm)exit with 1" (25mm)Voice Coil
Horn Coverage (HxV):	90° H x 60° V , nominal (-6dB)
Crossover:	2.2kHz
DSP Presets:	MON-FLAT-USER(Custom Sound)
Connectors:	1 x Line/Mic Female XLR-1/4" combo-RCA L/ R inputs, 1 x Loop-Out Male XLR
Input Control:	Line /Mic -∞ to +50dB / Input Impedance:15kOhms
External Controls:	Volume Control, Power switch with LED indicator, Clip/Limit LED, Ground Lift switch, USB Port Control, Bluetooth/MP3 Module Option
Protection features:	Over-excursion, Thermal, Driver, Digital Lim.
Power Supply:	AC-220/240V or AC-110/120 Volt, with Switching Power Mode, 50/60Hz
Enclosure Construction:	Trapezoidal with floor Monitor Capability, Injection-molded Polypropylene enclosure ; Perforated steel grille.
Mounting information:	Integrated Pole Socket(36mm diameter); 2 handles; 4xM10 Threaded Sockets (2 top, 2 bottom)
Dimensions (HxWxD):	24.8" x 15.2" x 14.6"(631mm x 386mm x 372mm)
Weight (Net/Shipping):	33.3 lbs(15.1 Kg) / 38.6 lbs(17.5 Kg)

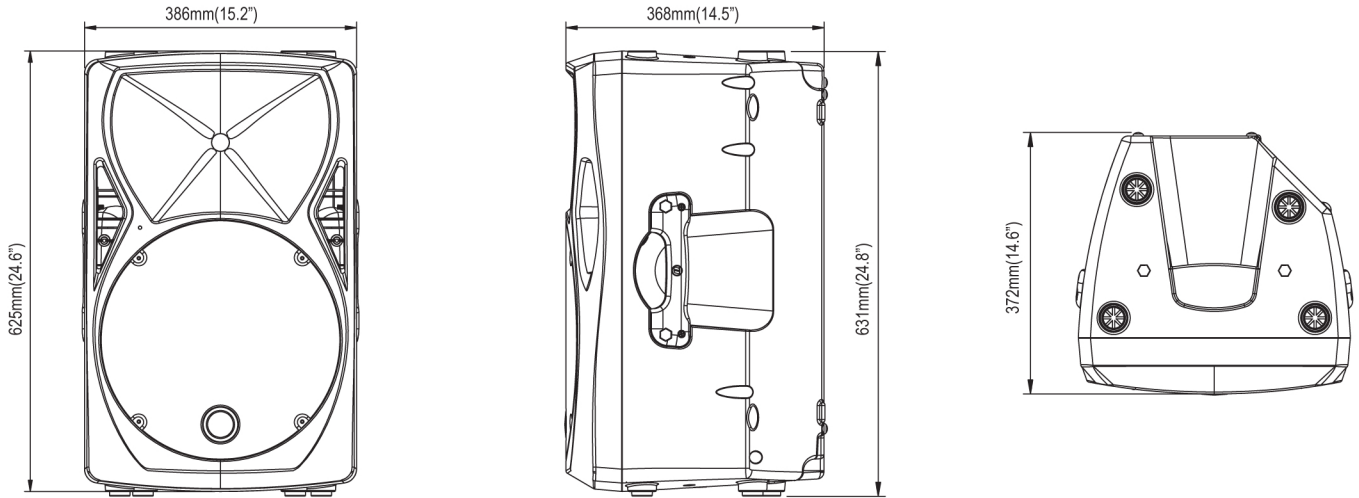
APPLICATIONS:

- Small/mid-sized PA systems
- Halls, auditoriums, amphitheaters
- Bars, restaurants, clubs
- Gymnasiums, fitness centers, and dance studios
- Houses of worship
- Mobile DJ systems and weddings
- Special events, and presentations
- Rentals

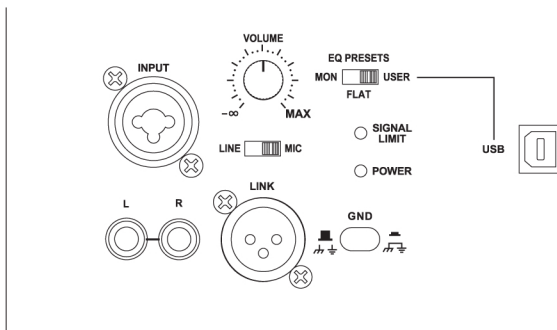
FEATURES:

- Bi-amp Class D Amplifier
- 15" low frequency transducer, 1" neodymium driver
- 1 Mic/Line combo inputs with independent volume controls
- XLR output to link speakers
- Lightweight, trapezoidal cabinet with handles
- 90° x 60° Long throw coverage field
- Stand/pole mountable or flyable
- Clip Limiter with red LED
- Ground Lift switch
- DSP Presets: MON-FLAT-USER(Custom Sound)
- Accurate audience coverage, not just on-axis
- Designed and tuned in the USA

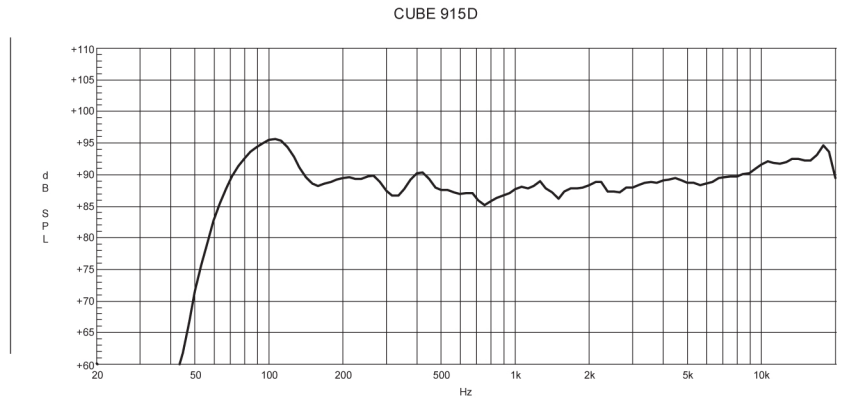
DIMENSIONS



CONNECTORS



ON AXIS FREQUENCY RESPONSE



BLOCK DIAGRAM

